

Data sheet | Item number: 770-317

Snap-in frame; for 2-pole sockets and plugs; 2-pole

770-317



RoHS
Compliant ✓

[BOMcheck.net](https://www.bomcheck.net)

Color: ■

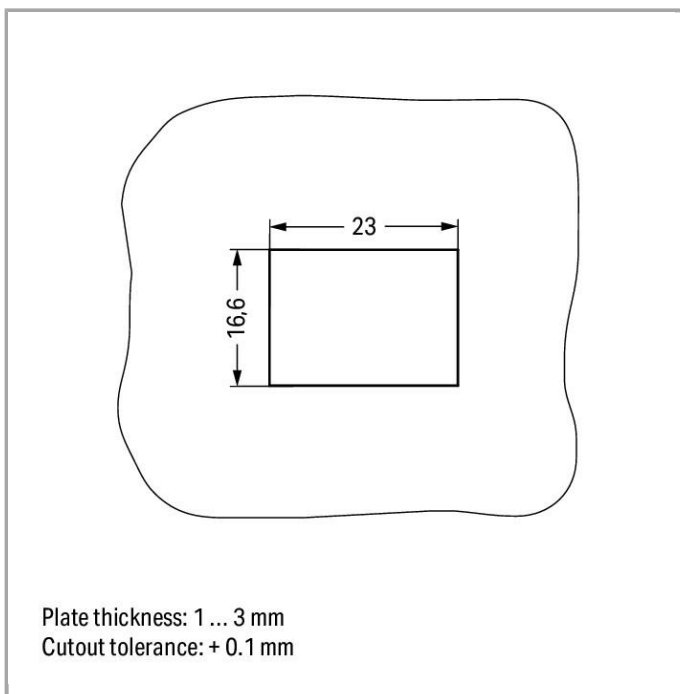
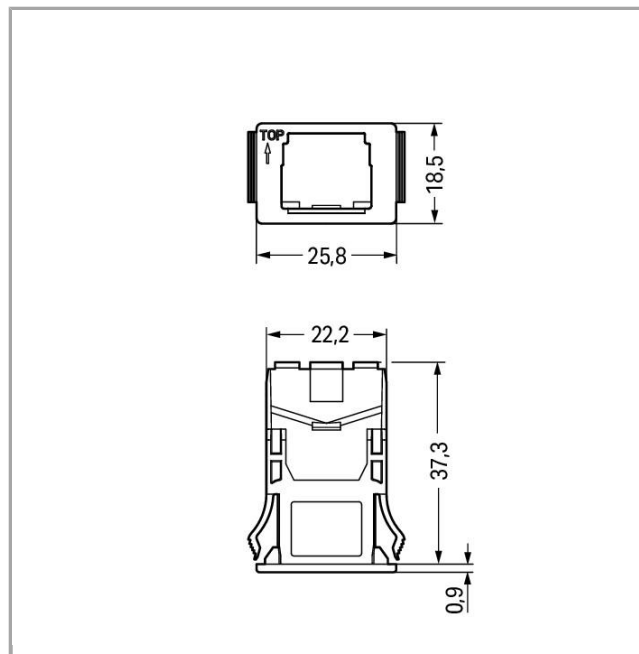


Plate thickness: 1 ... 3 mm
Cutout tolerance: + 0.1 mm

Data

Electrical data

Note on Contact Resistance



approx. 1mΩ contact resistance

approx. 0.25mΩ contact transition plug/socket

Geometrical Data

Width	25.8 mm / 1.016 inch
Height	18.5 mm / 0.728 inch
Depth	38.75 mm / 1.526 inch

Mechanical data

Gehäuseblechstärke	1 ... 3 mm / 0.039 ... 0.118 inch
Mounting type	Snap-in
Protection class	IP20
Note on protection class	Only in mated condition with strain relief housing (These compact connectors are not designed for use in open, easily accessible areas.)

Plug connection

Mismating protection	Yes
Locking of plug-in connection	locking lever

Material Data

Color	black
Insulating material	Polyamide 66 (PA 66)
Flammability class per UL94	V0
Contact material	Copper or copper alloy, surface-treated
Fire load	0.081 MJ
Weight	2.71 g

Environmental Requirements

Surrounding air (operating) temperature	-35 ... 85 °C
Processing temperature	-5 ... +40 °C
Continuous operating temperature	-35 ... +85 °C
Note on Continuous Service Temperature	Insulating parts for temperatures ≤ 105 °C


Commercial data

Product Group	20 (WINSTA)
Country of origin	DE





GTIN	4050821261162
Customs Tariff No.	39269097900

Approvals / Certificates

Country specific Approvals

Logo	Approval	Additional Approval Text	Certificate name
	CCA DEKRA Certification B.V.	EN 61535	2173495.02
	CCA DEKRA Certification B.V.	IEC 61535	NL-32105

Ship Approvals

Logo	Approval	Additional Approval Text	Certificate name
	ABS American Bureau of Shipping	-	14- HG1241528- PDA
	DNV GL Det Norske Veritas, Germanischer Lloyd	-	TAE00001Z6
	DNV GL Det Norske Veritas, Germanischer Lloyd	-	TAE00001Z6
	LR Lloyds Register	IEC 61984	02/20050 (E6)

Compatible products

Locking lever

	Item no.: 770-140 Locking lever; for sockets; for manual operation	770-140
--	---	---------

Downloads

Documentation

Bid Text

770-317



WINSTA MIDI 2-polig

Apr 4, 2012

doc
23.6 kB

[Download](#)

CAD/CAE - Smart Data

CAD data

3D Download 770-317

[URL](#)

[Download](#)

Subject to changes.
